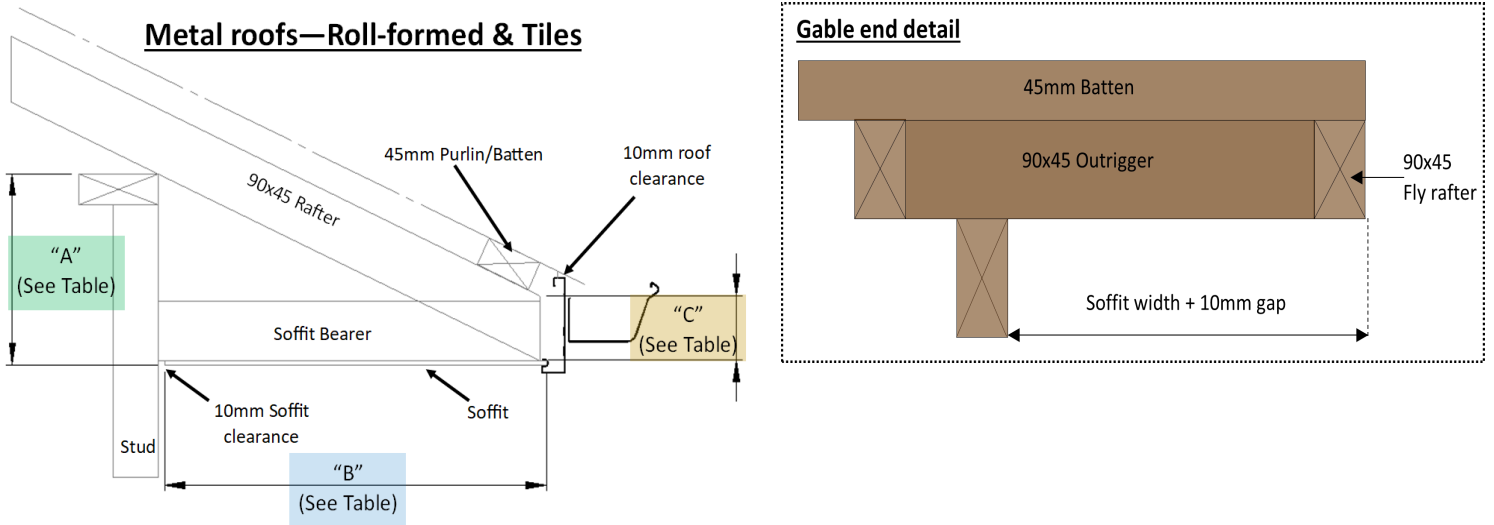


CONSTRUCTION DETAIL & COMMON DROP HEIGHTS FOR: 180 S-Line Fascia Panel with Metal Roof or Metal Tiles



Roof Pitch (Degrees)	Drop Heights (mm)—Dimension "A" (See notes at bottom of table)					Toe Cut (mm) Dimension "C"
	Soffit Width (mm) - Dimension "B"					
	300	450mm	600mm	750mm	900mm	
10.0	89	115	142	168	195	125
12.5	103	136	169	203	236	126
15.0	117	157	197	238	278	127
17.5	131	178	226	273	320	127
20.0	145	200	254	309	364	128
22.5	160	222	284	346	408	128
25.0	174	244	314	384	454	129
27.5	189	267	345	423	502	129
30.0	205	291	378	464	551	129
35.0	237	342	447	552	657	129
40.0	272*	398*	524*	649*	775*	129*
45.0	311*	461*	611*	761*	911*	128*

Drop Height "A" is calculated assuming the following constants:

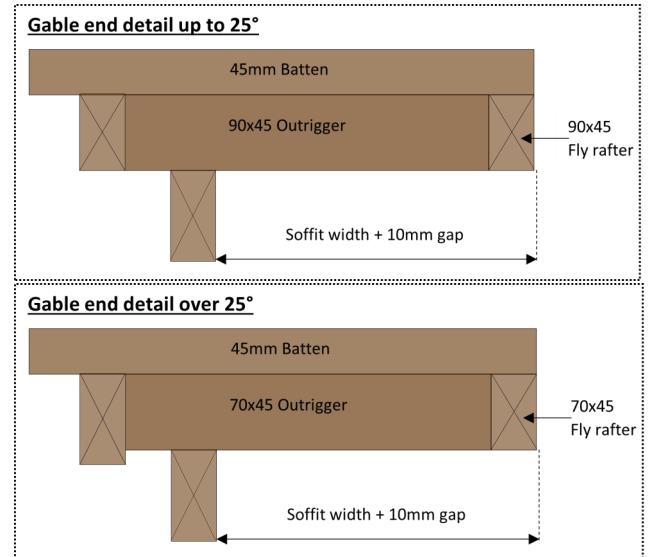
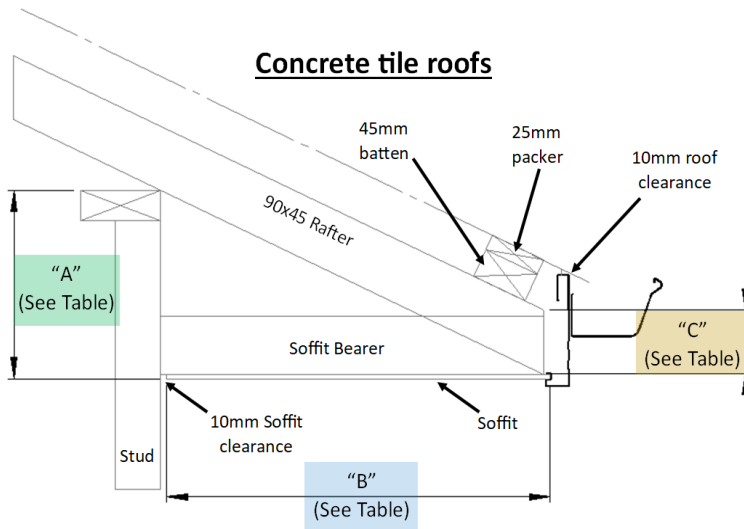
Soffitt clearance = 10mm ; Roof clearance = 10mm ; Rafter height = 90mm ; Purlin/Batten height = 45mm

* Depending on soffit/window height location, Gable end detail may require a change to a 70x45 outrigger and 70x45 Fly rafter.

NOTE: For different roof pitch's and soffit widths, visit our online drop height calculator at:

www.continuous.co.nz/fascia-panel/truss-series/180-S-Line

CONSTRUCTION DETAIL & COMMON DROP HEIGHTS FOR: 180 S-Line Fascia Panel with Concrete tile roof



Roof Pitch (Degrees)	Drop Heights (mm)—Dimension "A" (See notes at bottom of table)					Toe Cut (mm) Dimension "C"
	Soffit Width (mm) - Dimension "B"					
	300	450mm	600mm	750mm	900mm	
15.0	91	131	172	212	252	101
17.5	105	152	199	247	294	101
20.0	119	173	228	282	337	101
22.5	133	195	257	319	381	101
25.0	147	217	287	357	426	101
27.5	161	239	317	395	473	101
30.0	176	262	349	435	522	100
35.0	206	311	416	521	626	99
40.0	239*	365*	491*	617*	743*	97*
45.0	276*	426*	576*	726*	876*	93*

Drop Height "A" is calculated assuming the following constants:

Soffitt clearance=10mm ; Roof clearance=10mm ; Rafter height=90mm ; Batten height=45mm + 25mm packer on last batten=70mm

* Roof pitch over 35 degrees may require a horizontal fascia return and boxed soffit at gable corners.

NOTE: For different roof pitch's and soffit widths, visit our online drop height calculator at:

www.continuous.co.nz/fascia-panel/truss-series/180-S-Line